

C700L FIRE BOX



Chazelles

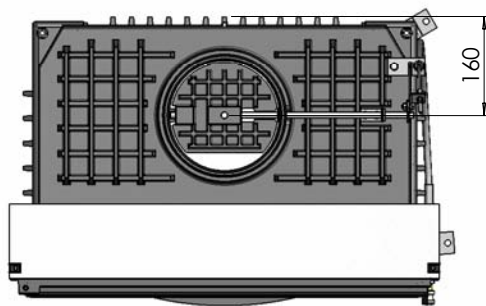
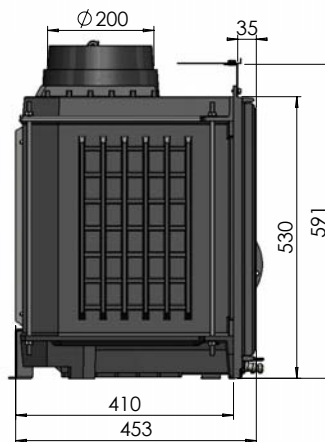
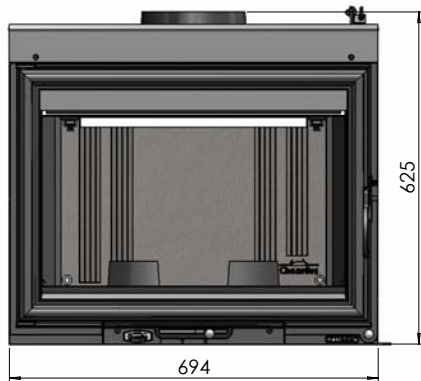
C700L FIRE BOX



Heavy duty cast iron wood heater
Weight : 130 kgs
Flue size : \varnothing 200 mm
Est. Heat Output power : 25 Kwh
Average smoke temperature : 314 °C
Room size : 50 - 100 m²
* Energy efficiency rating : 74.5%
Ceramic glass 820°C heat resistant
AS/NZS 4013 Tested

Optional finishes : Gun metal or Full brass door
Lateral opening door
10 Years warranty

* Ratios according to European standard tests : EN 13229: 2001



Made of heavy duty cast iron the C700L is the smallest fire box of the Radiant Collection and is targeted at the price conscious consumer . The C700L design allows an installation into an existing fireplace , showcasing the splendour of an open fire without compromising safety and energy efficiency . The stylish Radiant C700L manufactured to the highest quality at an affordable price has long been the most popular firebox on the international market and has contributed today to make Chazelles the world leader manufacturer of slow combustion wood heaters .

Head Office and Showroom:

396 Princes Highway ST PETERS NSW 2044

T: 02 9550 6290

Email: curlines@bigpond.net.au

WWW.CHAZELLES.COM.AU

Chazelles