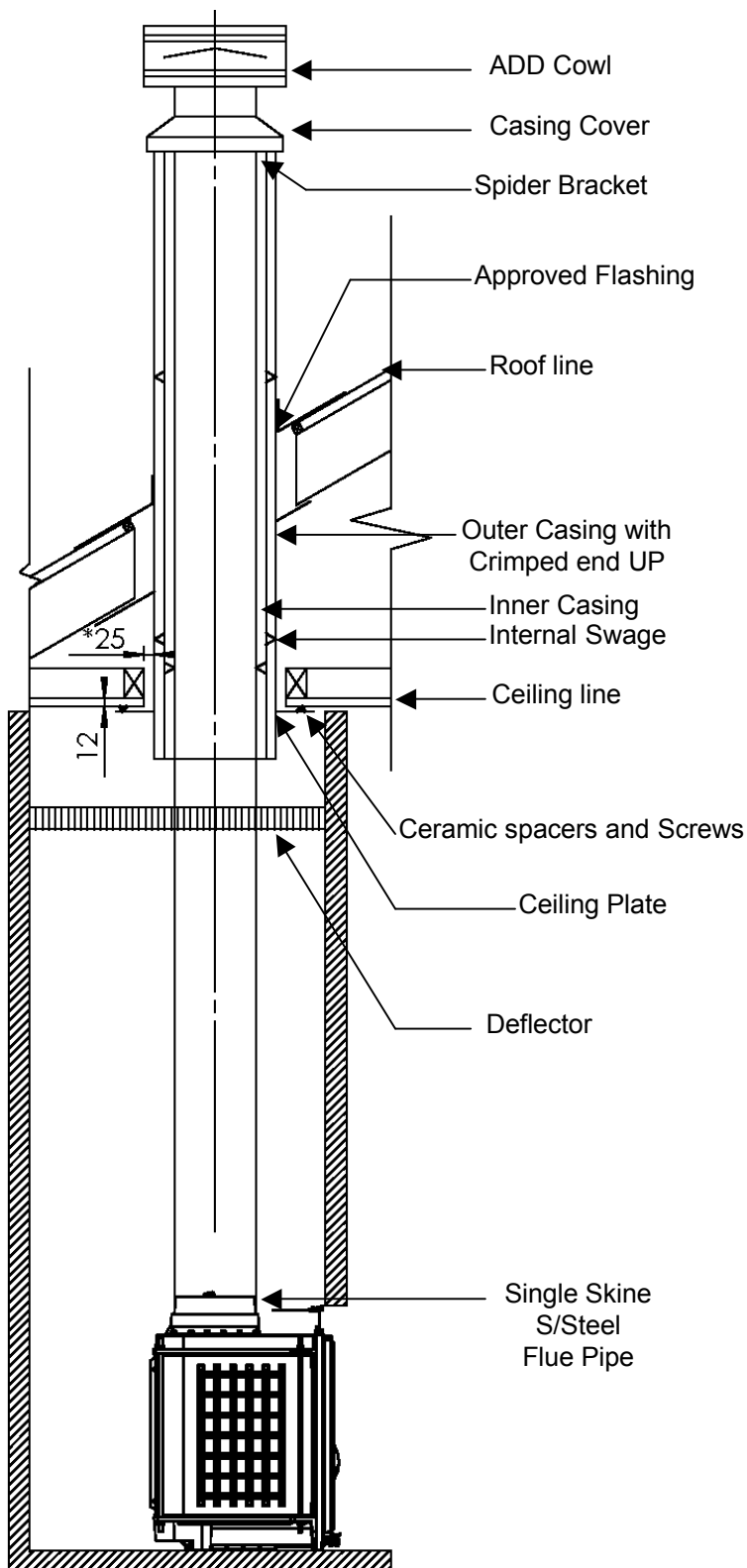


FLUE PENETRATION



IMPORTANT

THIS DRAWING IS MEANT A GUIDE
HEATERS SHOULD BE INSTALLED BY A
QUALIFIED PERSON.

INSTALLATION INSTRUCTIONS

1 READ BROCHURE AND POSITION STOVE

2 MARK CIRCLE ON CEILING

3 CUT AWAY CEILING USING A SHARP
KNIFE TO SCORE SURFACE FIRST THEN
USE A KEYHOLE SAW OR JIG SAW TO
FINISH OUT.

4 BEFORE CUTTING CEILING TRY TO
DETERMINE POSITIONS OF NOGGINS TO
AVOID CUTTING.

5 DRILL 3/16 HOLE IN SUPPORT ANGLES
AND CEILING CAP. POSITION THE HOLE
SO THAT THE CEILING CAP WILL
PROTRUDE A MINIMUM OF 150 MM
BELOW THE CEILING.

6 PLACE CEILING CAP UNIT IN CENTRE OF
HOLE MAKING SURE IT IS 40 MM FROM
COMBUSTIBLES AND FIX SUPPORT
ANGLES TO NOGGIN WITH NAILS OR
SCREWS.

7 ADD CEILING COLLAR (SPLIT RING)
AGAINST CEILING CAP COLLAR IS USED
FOR FLAT OR SLOPED.
CEILING BY PULLING TIGHT AS POSSIBLE
AND FIX WITH POP RIVET. TOP CEILING
COLLAR 12 MM FROM CEILING LINE.

8 PLACE MID LOCATING RING INTO
CEILING CAP.

9 FEED S/ST THROUGH LOCATING RING
PLACE COVER CONE & COWL. FIX WITH
POP RIVETS.

* Minimum sizes

Minimum flue Length : 3600 mm